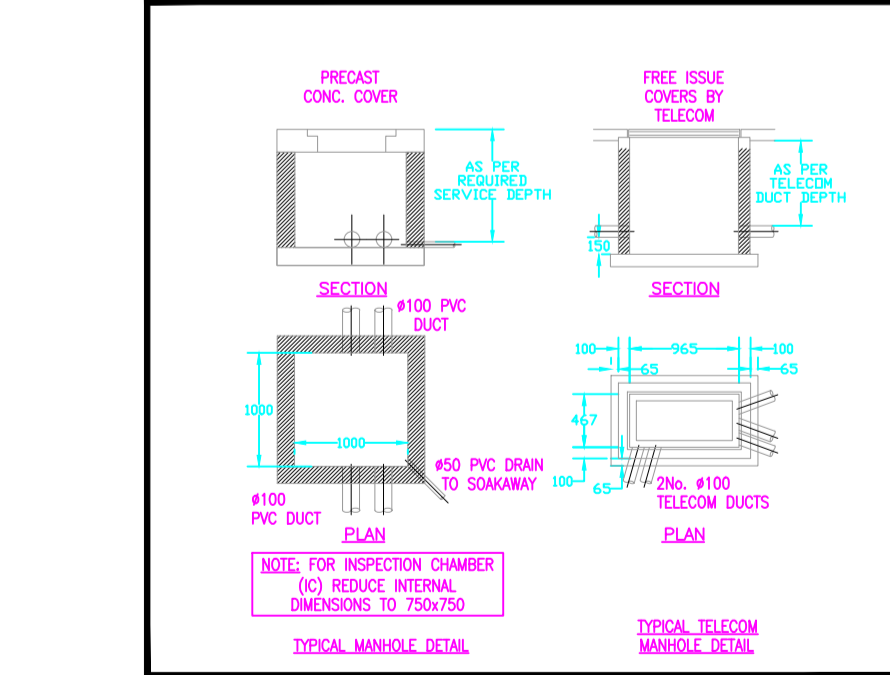
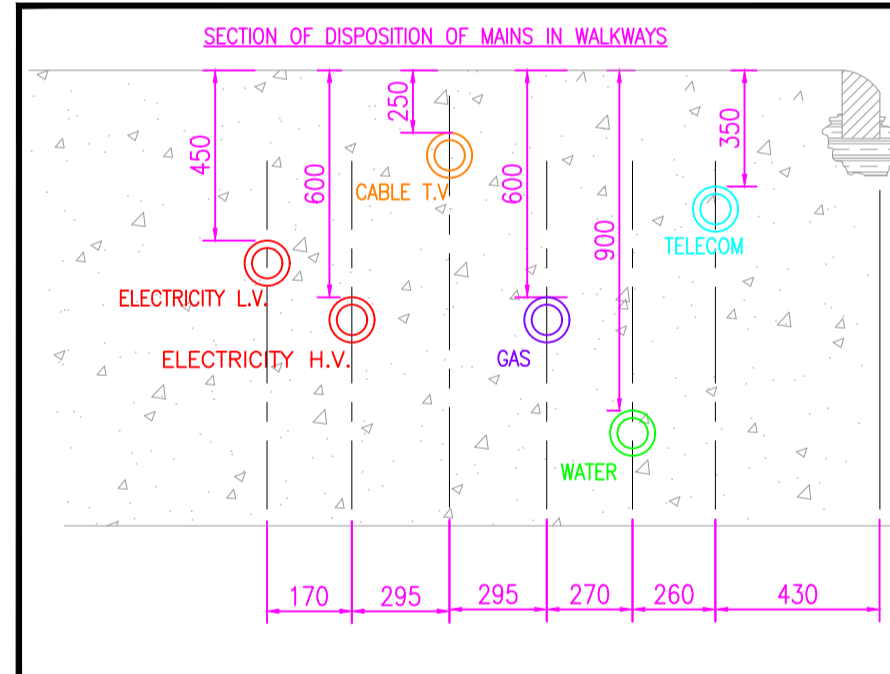
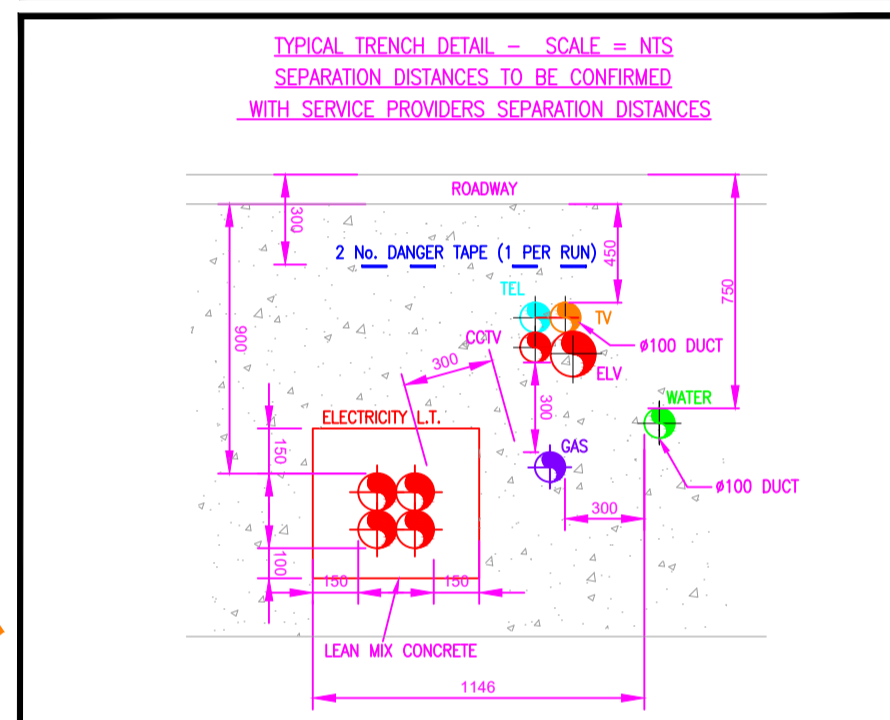
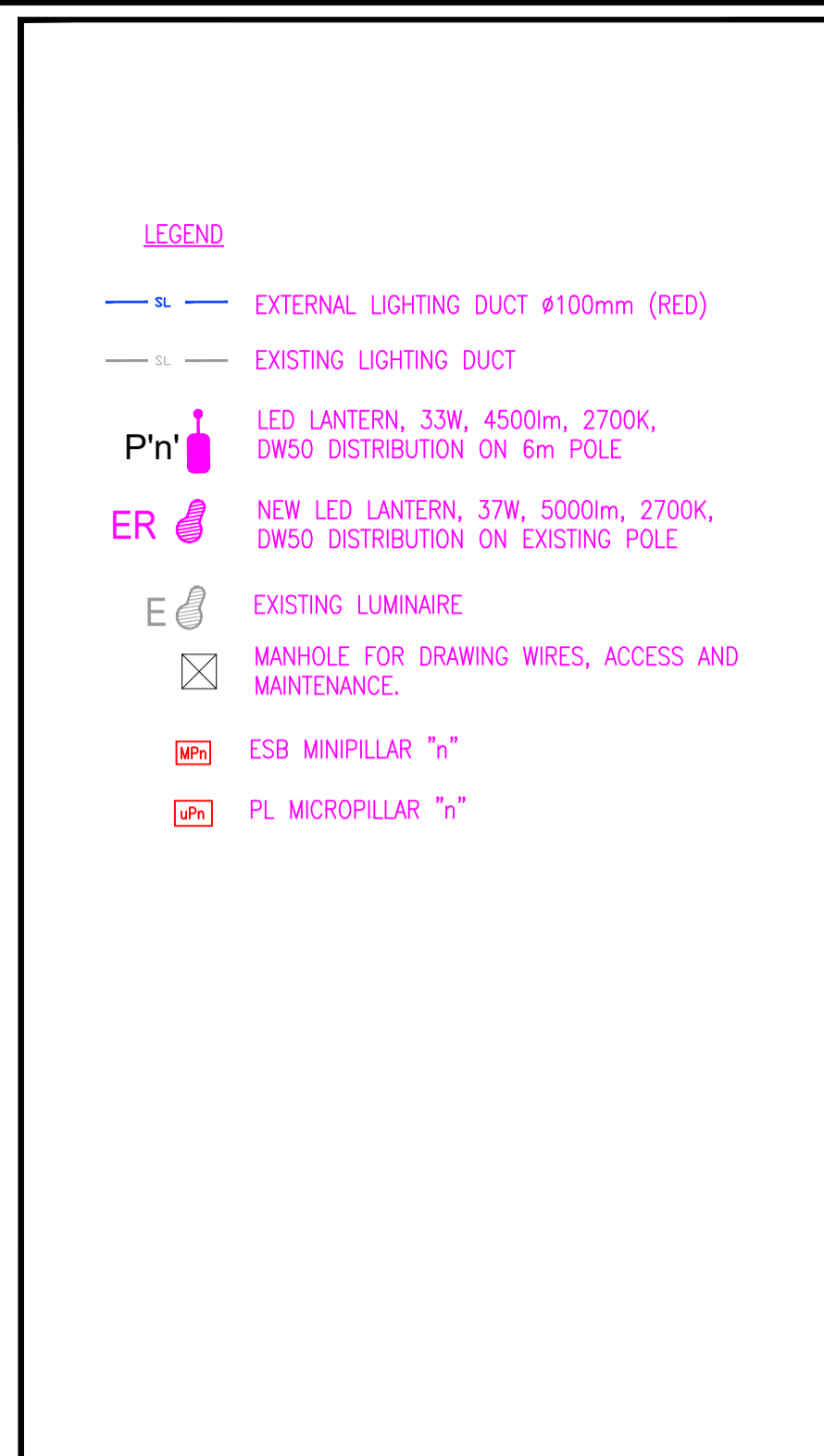
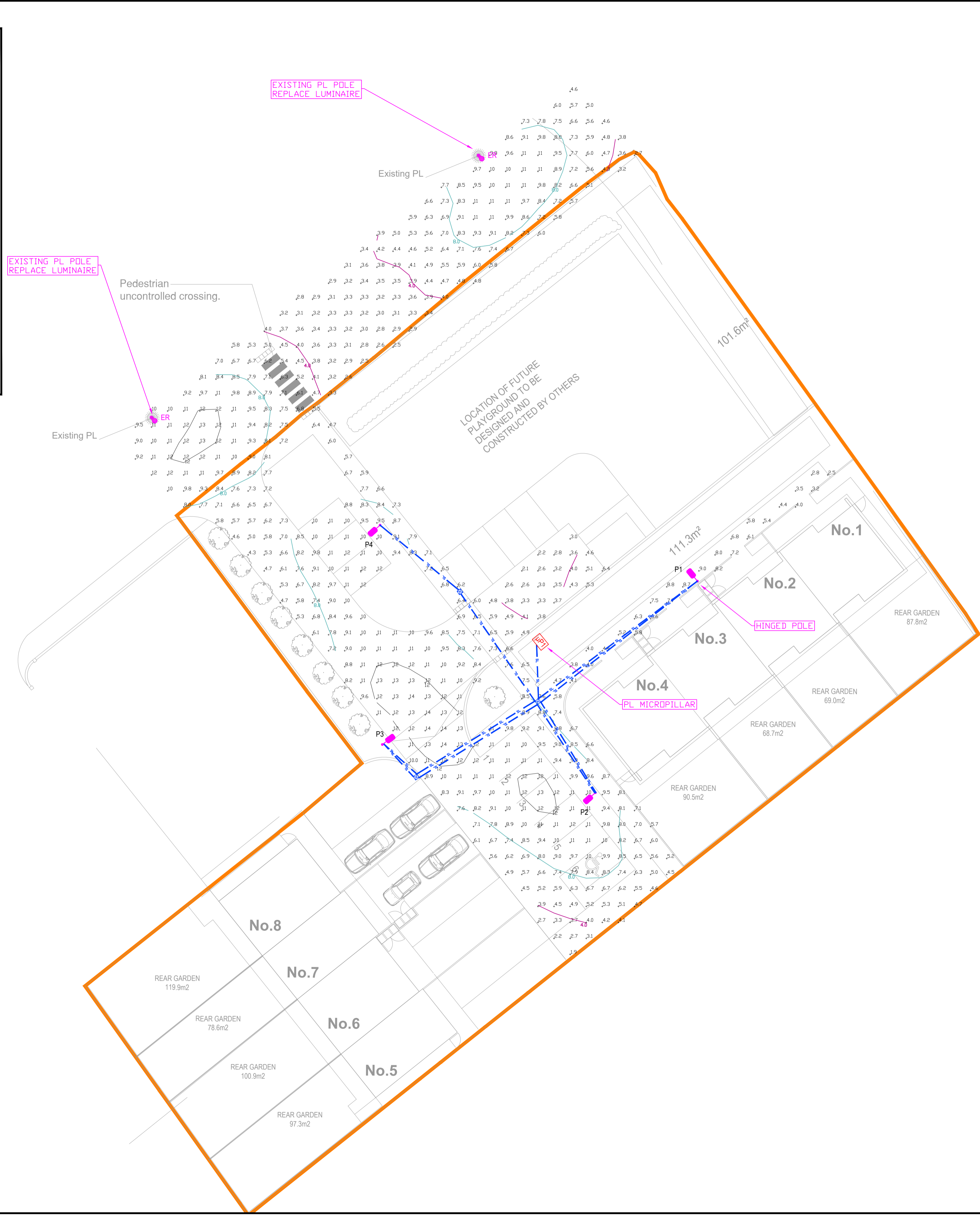
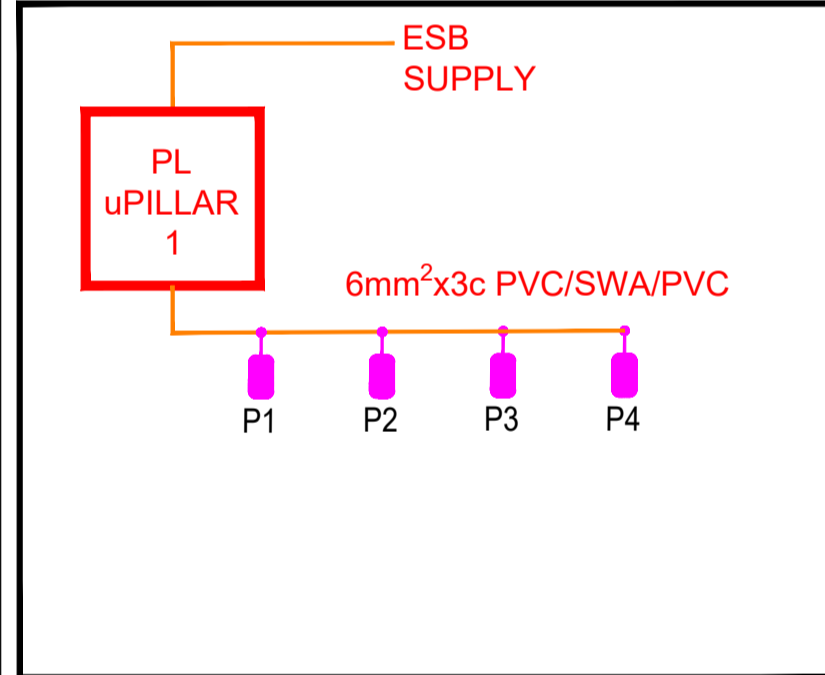


- NOTES:**
- DUCTING SHALL COMPLY WITH LATEST VERSION OF BS EN 50086 AND SHALL BE SINGLE WALL, COLOURED RED AND MANUFACTURED FROM HIGH-DENSITY POLYETHYLENE. THE NOMINAL EXTERNAL DIAMETER OF THE DUCT SHALL BE 107MM WITH A MINIMUM WALL THICKNESS OF 5MM. EACH LENGTH OF DUCT SHALL BE STAMPED WITH THE WORDS 'PUBLIC LIGHTING' OR 'STREET LIGHTING', IN 18MM BLACK LETTERING REPEATED AT 1-METRE INTERVALS.
 - DUCTS SHALL BE LAID WITH THE LEGEND FACING UPWARDS, IN A STRAIGHT LINE, CLOSE TO THE LINE OF THE COLUMN LOCATIONS AND SHALL CONTAIN A CONTINUOUS DRAW WIRE OF 8 KN STRENGTH.
 - SAND SHOULD BE USED TO BACKFILL TO 150MM ABOVE THE TOP OF THE DUCTING.
 - A CLEARANCE OF AT LEAST 100MM SHALL BE ALLOWED TO THE TRENCH WALL.
 - AN IDENTIFYING TAPE MUST BE PLACED ON TOP OF THE SAND.
 - A MINIMUM DEPTH OF 450MM COVER IS REQUIRED IN URBAN FOOTWAYS, GRASS MARGINS, PEDESTRIAN WAYS, LANEWAYS AND VEHICULAR ACCESSES; AND A MINIMUM DEPTH OF 750MM IS REQUIRED AT ROAD CROSSINGS OR UNDER ROADWAYS.
 - PUBLIC LIGHTING INSTALLATION TO BE IN ACCORDANCE WITH KIDARE COUNTY COUNCIL'S SPECIFICATIONS



- NOTES:**
- GENERAL NOTES:**
- THIS DRAWING TO BE READ IN CONJUNCTION WITH ALL RELEVANT ARCHITECTS, C&S ENGINEERS DRAWINGS & SPECIFICATIONS.
 - ALL WORKS TO BE CARRIED OUT IN ACCORDANCE WITH THE RELEVANT BUILDING REGULATIONS.
 - DO NOT SCALE - WORK TO FIGURE DIMENSIONS ONLY.

IHEEM
Qualitas Veritas ISO 9001-2015

ENGINEERS IRELAND
cpd ACCREDITED COMPANY

| Rev. | Date | Description | Dwn. | Chkd. | Apprvd. |
|------|----------|-------------|------|-------|---------|
| IP1 | 25/11/23 | INFORMATION | HP | JM | JM |
| IP2 | 07/12/23 | INFORMATION | HP | JM | JM |
| IP3 | 15/12/23 | INFORMATION | HP | JM | JM |
| IP4 | 26/01/24 | INFORMATION | HP | JM | JM |
| IP5 | 21/02/24 | INFORMATION | HP | JM | JM |
| IP6 | 07/03/24 | INFORMATION | HP | JM | JM |

Client: CORK COUNTY COUNCIL

Job Description: PUBLIC LIGHTING DESIGN CLOUGHDUV HOUSING PROJECT

Status: INFORMATION

Drawing Title: PROPOSED LIGHTING LAYOUT CLOUGHDUV

Project No: 23ME018 Drawing Ref: ME-1001 Rev: P6

Date: 20/11/2023 Scale: 1:200 @ A1 (1:400@A3)

Drawn By: H.P. Checked By: J.M. Approved By: J.M.

Hayes Higgins Partnership
Gas House Lane, Kilkenny.

Gas House Lane, Kilkenny (056) 7764710 (056) 7723223 info@hhp.ie
The Open House, 11 Oak Lane, Salsford, (01) 6612321 (01) 6612604 admin@hayeshiggins.ie
Issue 7