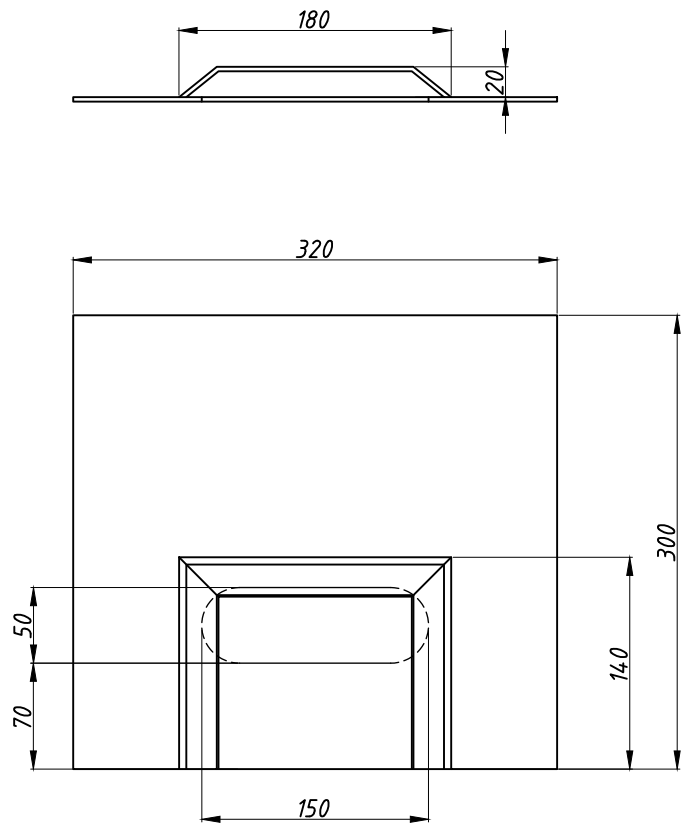


LEGEND
 - - - - - Outline of Area Accessible to Bats

NOTES
 1. This drawing shall be read in conjunction with all other relevant drawings, specifications and schedules.
 2. All dimensions are in millimeters and levels in meters. use figured dimensions only.

Proposed Roof Plan
 SCALE 1:100



Typical Bat Access Vent Detail
 SCALE 1/5

REVISION	DATE	BY	DETAILS
0	02/24	DOS	Issue 0

THIS DRAWING IS COPYRIGHT
 Dimensions are in mm except where indicated. Figured dimensions take precedence over scaled measurements. All dimensions to be checked on site prior to fabrication or construction. All works to be in accordance with Current Building Regulations and Codes. (Sub)Contractors are responsible for ensuring compliance with Building Regulations within their trade. Where this drawing is open to public inspection pursuant to a statutory requirement, or is on a statutory register, copying is subject to the requirements of Section 74 of the Copyright and Related Rights Act, 2000.

Drawn By CF	Chkd By CC	Approved By CC	DWG Date 24/07/24	Scale 1/100 @A3	Purpose Code P08	Acceptance Code S	Rev. 0	Stage Tender		
CroCon Engineers Ltd. Consulting Engineers 4 Main St., Bantry, Co. Cork E: info@crocon.ie Tel: (027) 50123			Project 23004	Originator - CRO -	Spatial Zone - X -	Level - XXX -	Info Type - DR -	Role - SE -	Number - 02007	
Client Cork County Council			Project Proposed 2 No. Houses, Adrigole Garda Station, Co. Cork						Title Proposed Roof Plan - Bat Access Vent	