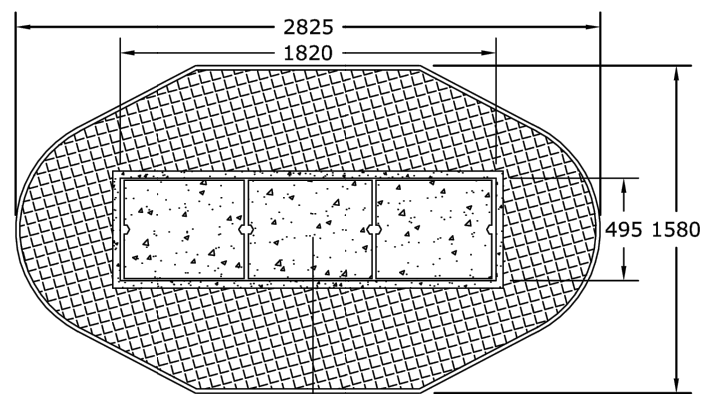


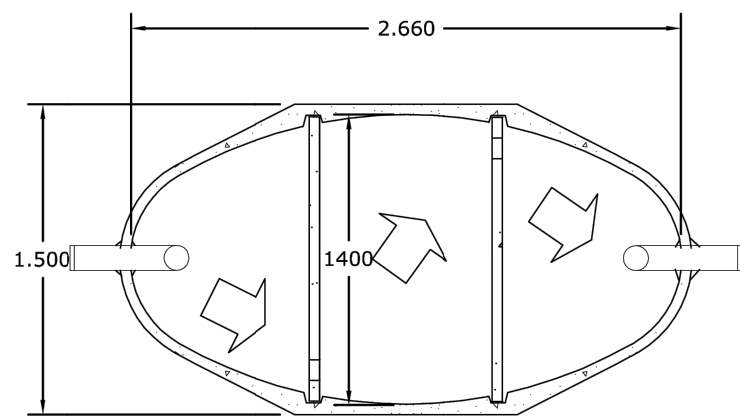
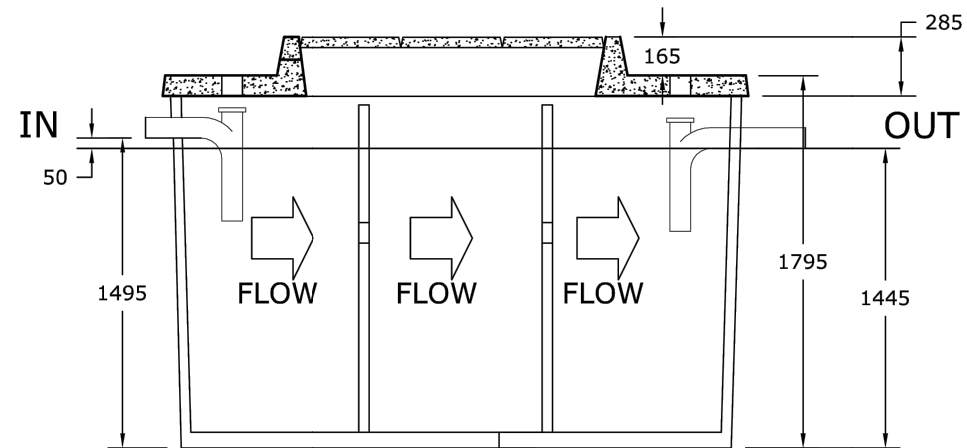
1000 GALLON (4.5 cubic metre) SEPTIC TANK

CERTIFIED TO EN12566-1



ROOF PLAN

Concrete Slabs
Pedestrian Traffic



FLOOR PLAN

Three equal chambers of 330 gallons (1.5 cubic metres).

110mm Wavin compatible fittings typical. (Others available to order).

Standard tank weight 3.75 tonnes.

Working capacity 740 gallons (3.37 cubic metres).

300mm Risers available

REVISION	DATE	BY	DETAILS
0	03/24	DOS	Issue 0

<p><small>THIS DRAWING IS COPYRIGHT Dimensions are in mm except where indicated. Figured dimensions take precedence over scaled measurements. All dimensions to be checked on site prior to fabrication or construction. All works to be in accordance with Current Building Regulations and Codes. (Sub)Contractors are responsible for ensuring compliance with Building Regulations within their trade. Where this drawing is open to public inspection pursuant to a statutory requirement, or is on a statutory register, copying is subject to the requirements of Section 74 of the Copyright and Related Rights Act, 2000.</small></p>		<p>Drawn By DOS</p>	<p>Chkd By CC</p>	<p>Approved By CC</p>	<p>DWG Date 13/03/24</p>	<p>Scale NTS @A3</p>	<p>Purpose Code P03</p>	<p>Acceptance Code S</p>	<p>Rev. 0</p>	<p>Stage Planning</p>
<p>CroCon Engineers Ltd. Consulting Engineers 4 Main St., Bantry, Co. Cork E: info@crocon.ie Tel: (027) 50123</p>						<p>Project: 23005 - CRO - X - XXX - DR - CE - 03201</p>				
<p>Client: Cork County Council Project: Proposed 2 No. Houses, Goleen Garda Station, Co. Cork Title: Septic Tank Detail - Concrete</p>										